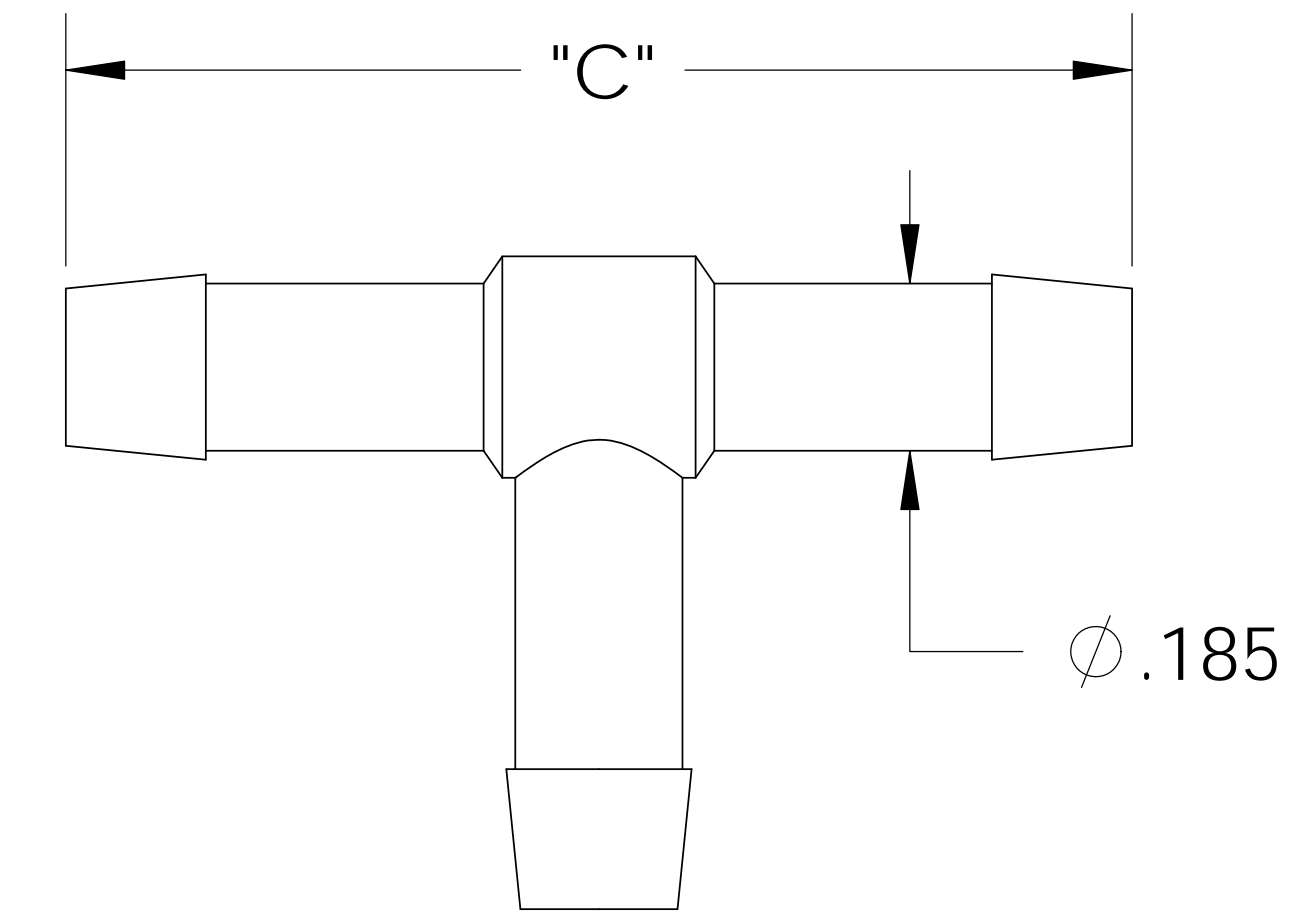
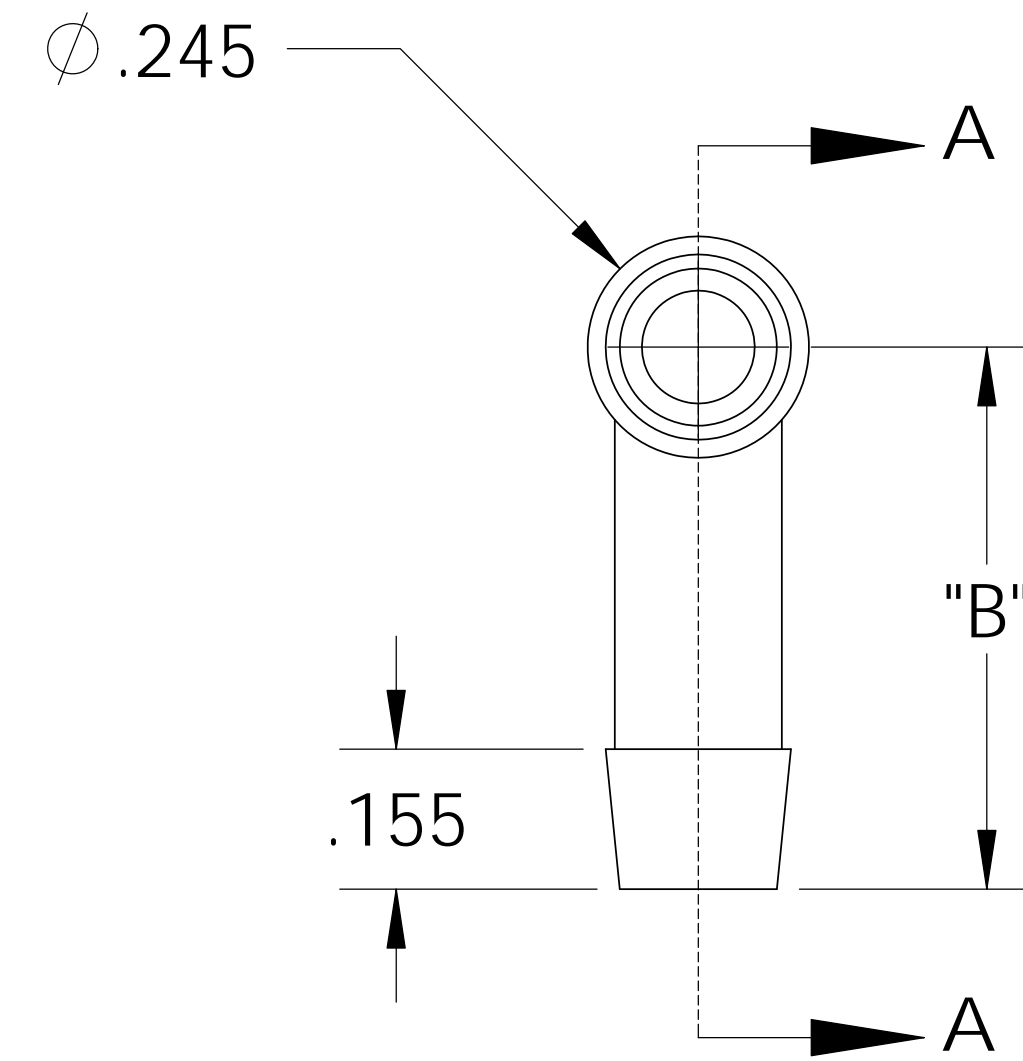
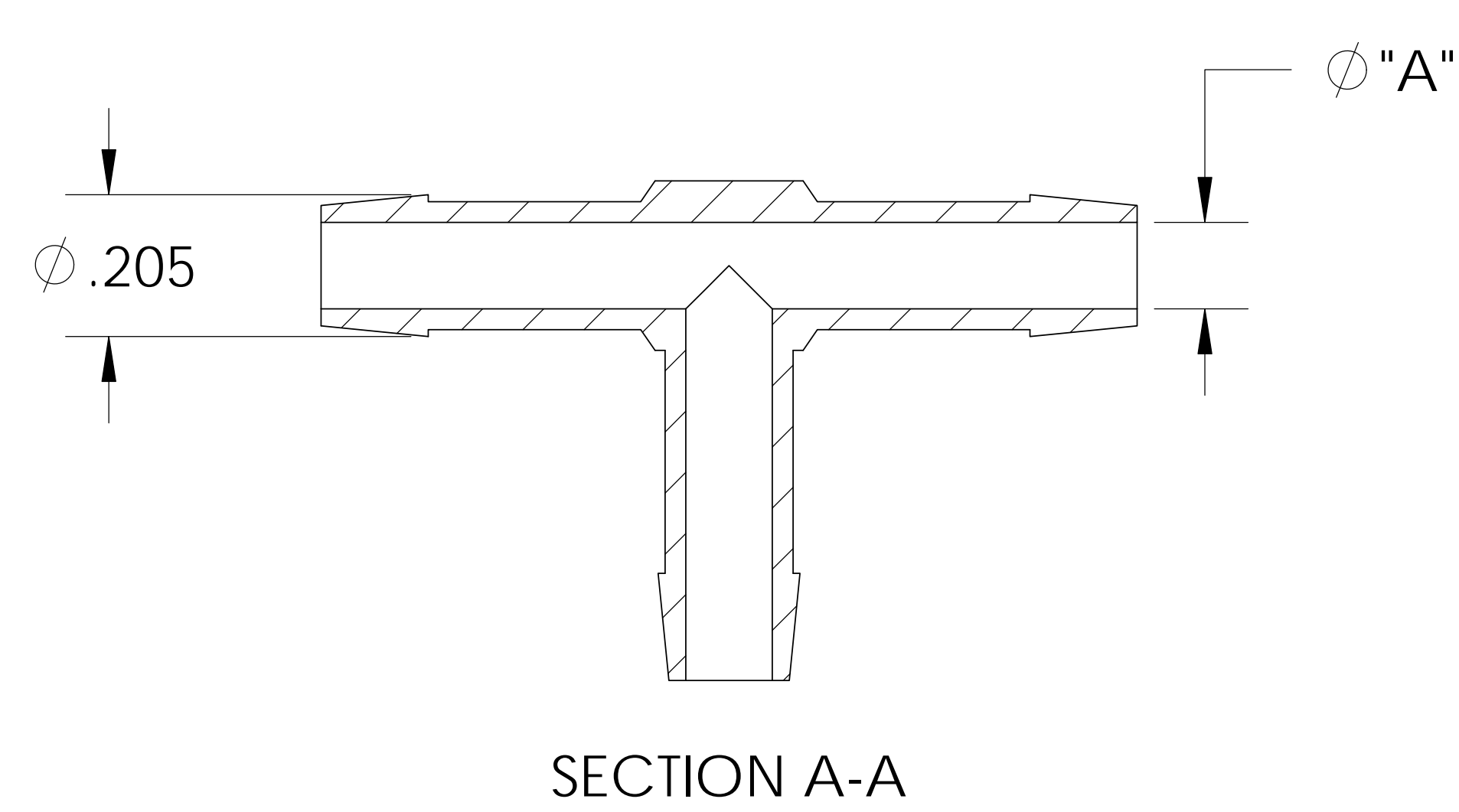
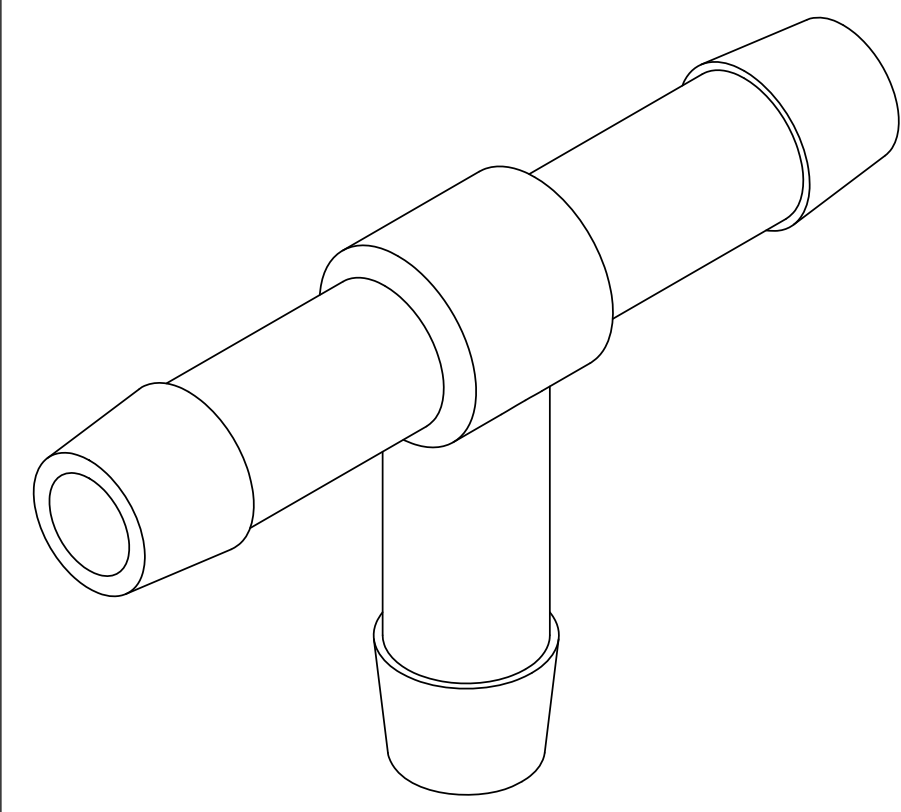


UNCONTROLLED IF PRINTED; CONTROLLED DOCUMENT LOCATED IN IQMS DOCUMENT CONTROL



CATALOG NO.	DESCRIPTION	MATERIAL	DIM "A"	DIM "B"	DIM "C"
TT9187/PP	3/16 X 3/16 X 3/16 PP	POLYPROPYLENE	.120	.59	1.17
TT9187/P	3/16 X 3/16 X 3/16 P	POLYETHYLENE	.120	.59	1.17
TT9187/N	3/16 X 3/16 X 3/16 N	NYLON	.125	.60	1.19

SHOWN

REV	WRO#	DESCRIPTION
D	95.00053	CONVERTED TO 3D FORMAT
HISTORY		

UNLESS OTHERWISE SPECIFIED:
 DIMENSIONS ARE IN INCHES
 TOLERANCES:
 ANGULAR: $\pm 0.5^\circ$
 X.X = ± 0.1
 X.XX = ± 0.05
 X.XXX = ± 0.015
 REMOVE ALL SHARP EDGES AND BURRS
 BLEND ALL RADII TO 0.01IN
 INTERPRET GEOMETRIC TOLERANCING PER: ANSI Y 14.5 1994
 MATERIAL: PP, P, N
 FINISH: NA
 THIRD ANGLE PROJECTION:

	NAME	DATE
DRAWN	KDJ	11/16/10
CHECKED	KDJ	11/16/10
ENG APPR.		XX/XX/XX
MFG APPR.		XX/XX/XX
Q.A.		XX/XX/XX

Thogus You think it, we can make it...
 33490 PIN OAK, AVON LAKE, OH 44012

TITLE:
 3/16 BARB X 3/16 BARB X 3/16 BARB MINI TEE

SIZE B	DWG. NO. TT9187	REV D
------------------	--------------------	-----------------

DO NOT SCALE DRAWING SCALE: 2:1 MASS: SHEET 1 OF 1

NOTES:
 1) POLYPROPYLENE HAS COLOR OPTIONS:
 BLACK = TT9187/PPB
 NATURAL = TT9187/PPN

PROPRIETARY AND CONFIDENTIAL
 THE INFORMATION CONTAINED IN THIS DRAWING IS THE SOLE PROPERTY OF THOGUS PRODUCTS COMPANY. ANY REPRODUCTION IN PART OR AS A WHOLE WITHOUT THE WRITTEN PERMISSION OF THOGUS PRODUCTS COMPANY IS PROHIBITED.